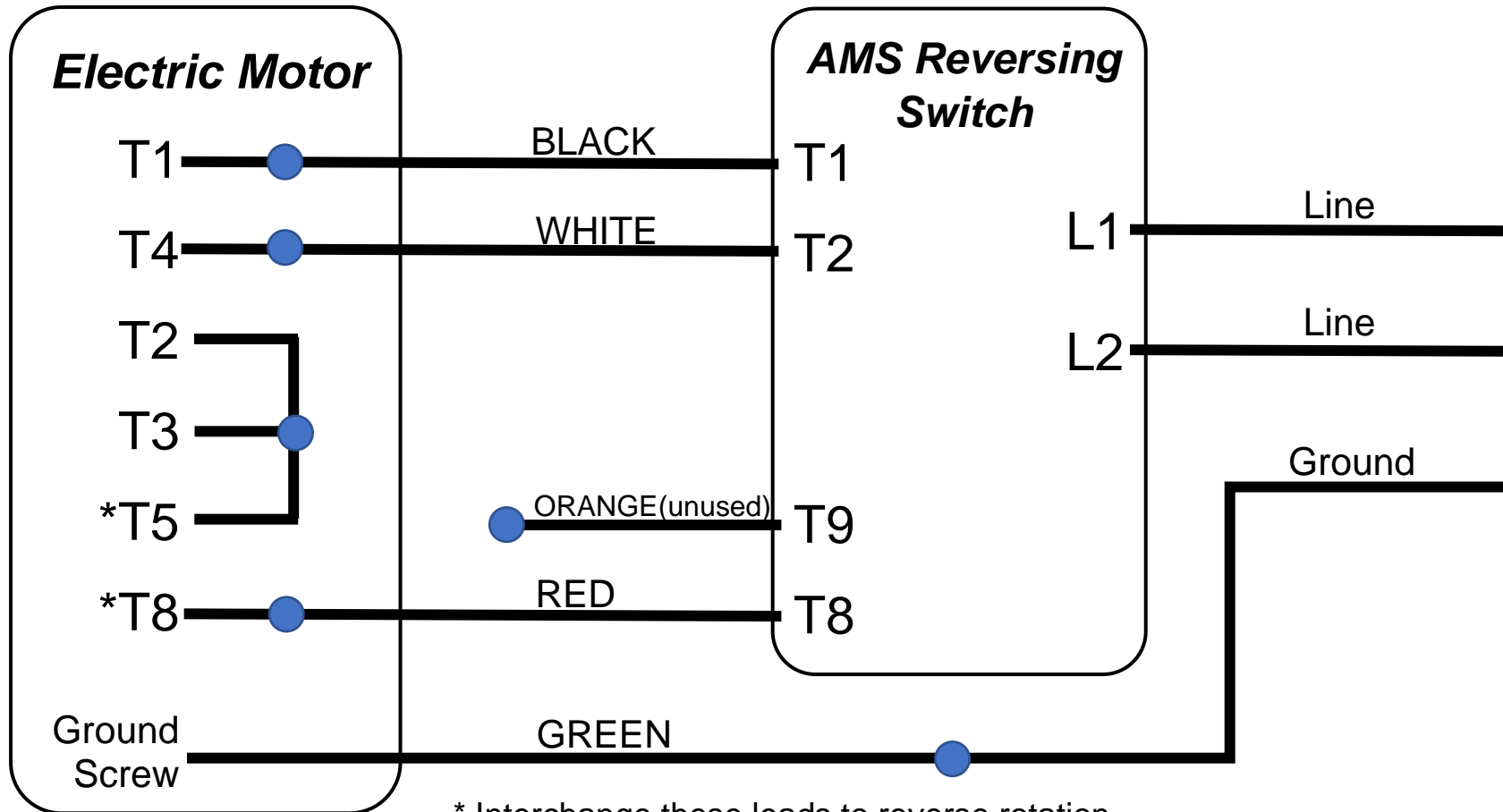


WIRING SCHEMATIC

Motor Type: YELLOW T-WIRES

Control Type: AMS REVERSING SWITCH

Power Supply: 230V AC



* Interchange these leads to reverse rotation