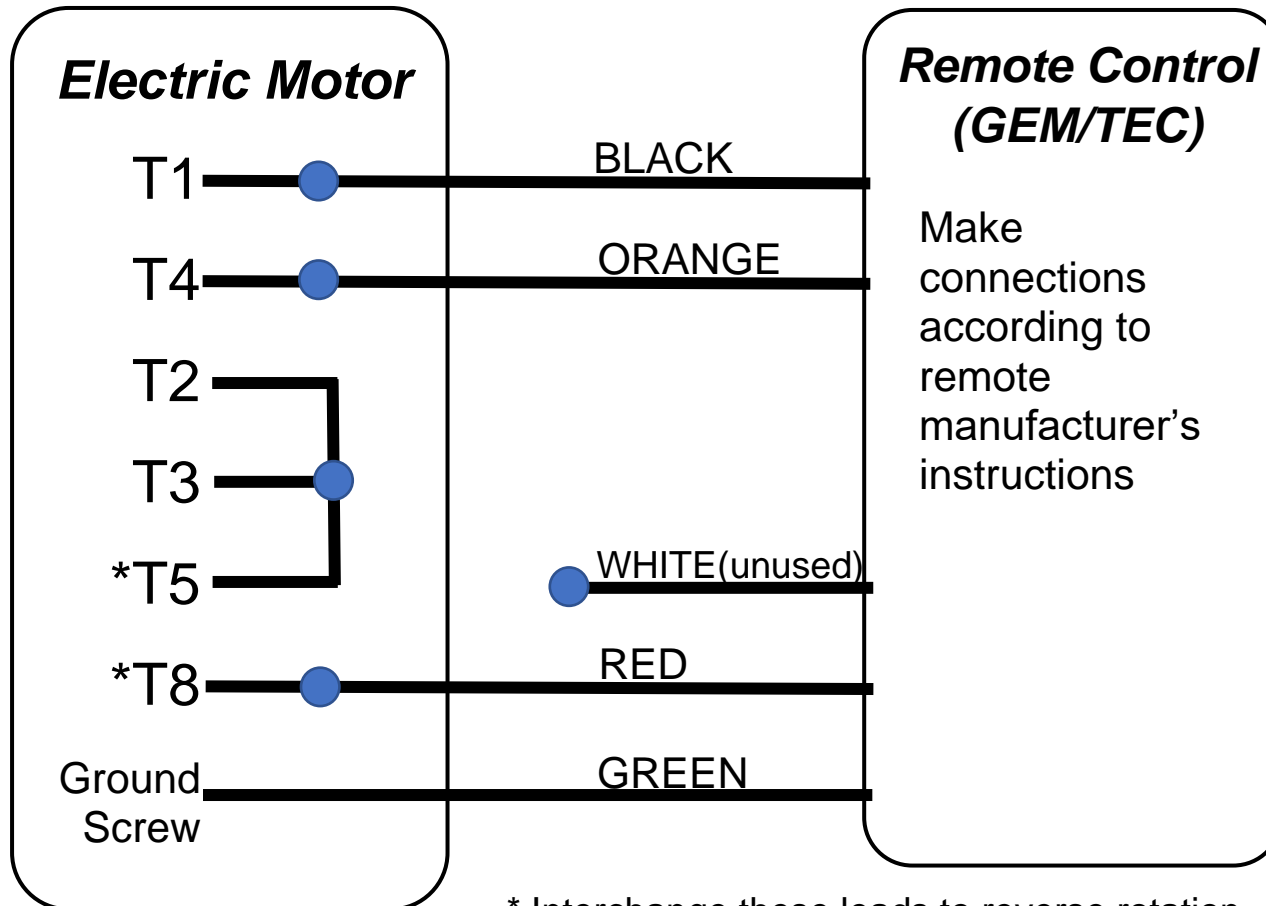


## WIRING SCHEMATIC

**Motor Type:** YELLOW T-WIRES

**Control Type:** REMOTE CONTROL (GEM/TEC)

**Power Supply:** 230V AC



\* Interchange these leads to reverse rotation